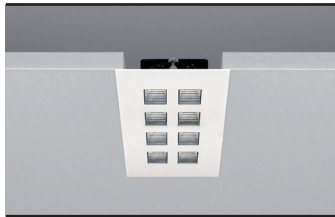


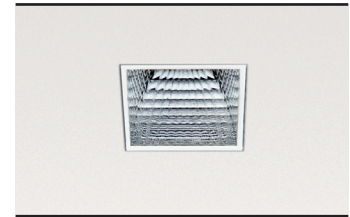
## SQUARE 2x4 mono

Recessed ceiling luminaire

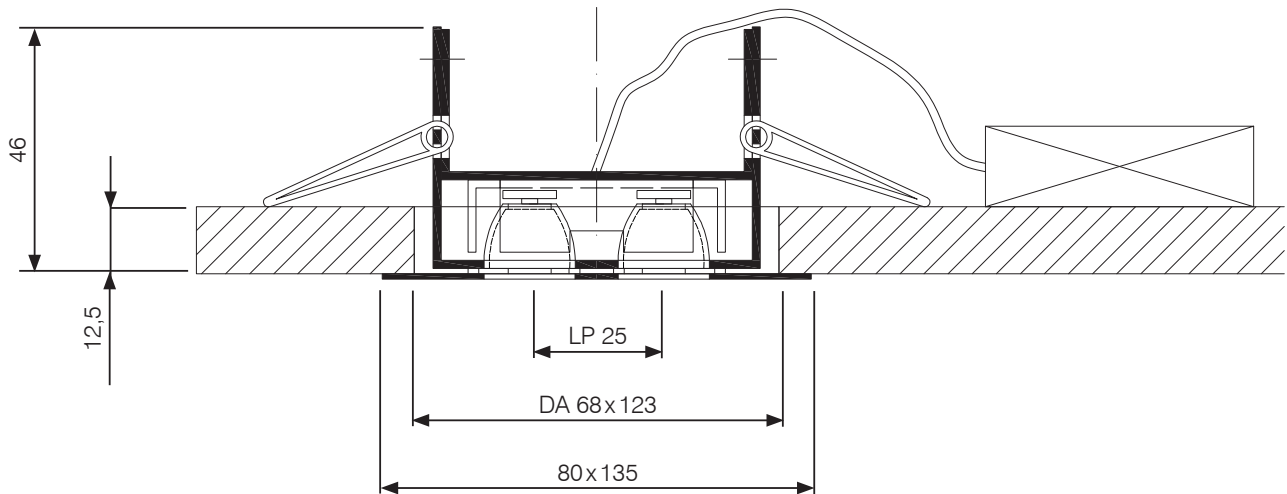
Particularly low mounting depth.



Reflector detail in original size.  
Outlet: 15x15mm



Lamp	Power LEDs, 8x 1,5 W
Lumen output	min. 880 lm, max. 1424 lm
Lighting technology	Reflector: aluminium coated polycarbonate, micro faceted
Control gear	LED driver external
Dimming (options)	1–10 V, DALI, Push
Luminaire type, assembly	Ceiling built-in, tool-free with tension springs
Dimensions	LxBxH 135x80x46 mm, DA 123x68 mm, ET 75 mm
Cast, heat sink	Sheet steel, extruded aluminium profile anodized
Colour/finish	Powder coated, RAL 9016 (other RAL colors optional)
Protection marking, compliance	IP20, <b>CE</b>
Specials	Customized versions, more light colours or color renderings on request



EVG on/off = EV

1-10 V = AV

Dali = DA

Push = PH

Please replace the item number placeholder XX with the listed operating device options:

Light distribution	Light colour	Colour rendering	Control gear	Order No.	+RAL
<b>2x35°</b> 	2700 K	CRI 80	1-10 V, DALI, Push	A 3808 P 2780 XX	9016
		CRI 90	1-10 V, DALI, Push	A 3808 P 2790 XX	9016
	3000 K	CRI 80	1-10 V, DALI, Push	A 3808 P 3080 XX	9016
		CRI 90	1-10 V, DALI, Push	A 3808 P 3090 XX	9016
		4000 K	CRI 80	1-10 V, DALI, Push	A 3808 P 4080 XX
5000 K	CRI 75	1-10 V, DALI, Push	A 3808 P 5075 XX	9016	
<b>2x45°</b> 	2700 K	CRI 80	1-10 V, DALI, Push	A 3808 T 2780 XX	9016
		CRI 90	1-10 V, DALI, Push	A 3808 T 2790 XX	9016
	3000 K	CRI 80	1-10 V, DALI, Push	A 3808 T 3080 XX	9016
		CRI 90	1-10 V, DALI, Push	A 3808 T 3090 XX	9016
		4000 K	CRI 80	1-10 V, DALI, Push	A 3808 T 4080 XX
5000 K	CRI 75	1-10 V, DALI, Push	A 3808 T 5075 XX	9016	
<b>2x55°</b> 	2700 K	CRI 80	1-10 V, DALI, Push	A 3808 W 2780 XX	9016
		CRI 90	1-10 V, DALI, Push	A 3808 W 2790 XX	9016
	3000 K	CRI 80	1-10 V, DALI, Push	A 3808 W 3080 XX	9016
		CRI 90	1-10 V, DALI, Push	A 3808 W 3090 XX	9016
		4000 K	CRI 80	1-10 V, DALI, Push	A 3808 W 4080 XX
5000 K	CRI 75	1-10 V, DALI, Push	A 3808 W 5075 XX	9016	