

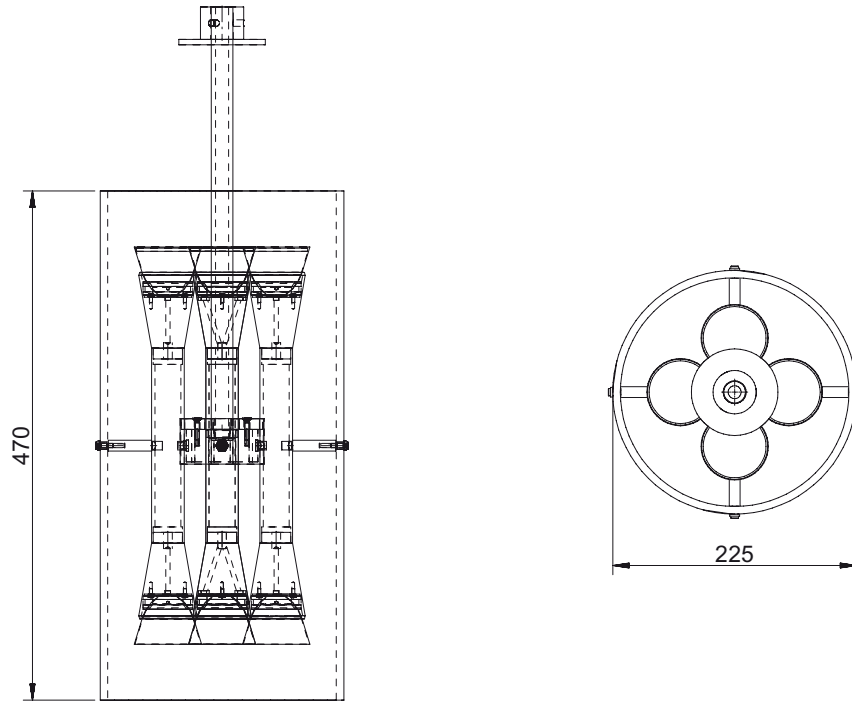


Cilindro up-and-down

Pendulum luminaire

Glass pendant light for use in sacred buildings.

Light source	Direkt: 4 x Vero 18, ca. 1250 lm @ 250 mA Indirekt: 4 x Vero 18, ca. 1250 lm @ 250 mA
Color temperature	2700 K
Beam angle	2x40°
Control gear	LED driver external
Dimming (options)	1–10 V, DALI, Push
Luminaire type, assembly	Pendant
Dimensions	glass cylinder (Ø 225mm, H 470mm, Wall thickness 7mm), pendant tube L 6m
Cast / heat sink	Glass, aluminium
Colour / finish	All metal parts polished
Protection marking, compliance	IP20, CE
Specials	Customized versions, more light colours or colour renderings on request



Article number: _____

Luminaire type	Identification	Reflector / Beam angle	Color temperature	CRI	Driver	Color
O = Pendant	6810	R = 2x40°	27 = 2700K	80	00 = None	9016 (White)
			30 = 3000K	90	DA = DALI	9005 (Black)
			40 = 4000K			9006 (AluSilver)
			50 = 5000K			
			57 = 5700K			