

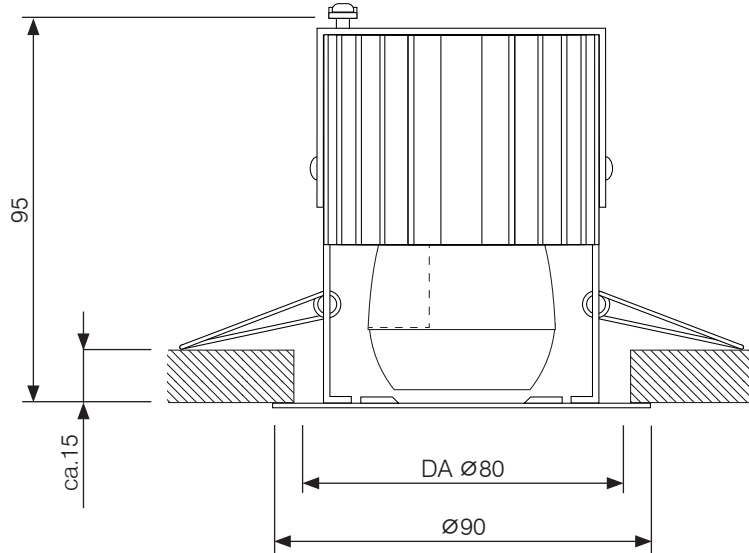


NAUTILUS LED-Wallwasher mono Recessed ceiling luminaire

Mounted Wallwasher with high-power LEDs, ideal as an energetic exchange of low-voltage wall washers. The lamp is optimized for a flat and glare-free illumination of walls or vertical surfaces.



Lamp	Bridgelux Vero 13 (2 x 30°, 2 x 40°)	Bridgelux Vero 18 (2 x 20°, 2 x 50°)
LED lumen output	1025 lm @ 250 mA - 7,4 W	980 lm @ 250 mA - 6,5 W
	1395 lm @ 350 mA - 10,6 W	1350 lm @ 350 mA - 9,3 W
	1910 lm @ 500 mA - 15,6 W	1890 lm @ 500 mA - 13,5 W
Reflector	Aluminium anodized, asymmetric	
Control gear	LED driver external	
Dimming (options)	1–10 V, DALI, Push	
Luminaire type, mounting	Ceiling mounted luminaire	
Dimensions	D Ø90 mm, DA Ø80 mm, MD 100 mm	
Cast, heat sink	Sheet steel, extruded aluminium profile	
Colour / finish	Powder coated, RAL 9016 (other RAL colours optional)	
Protection marking, compliance	IP20, CE	
Specials	Customized versions, more light colours or colour renderings on request	



EVG on/off = EV

1-10 V = AV

Dali = DA

Push = PH

Please replace the item number placeholder XX with the listed operating device options:

Light distribution	Light colour	Colour rendering	Control gear	Order No.	+RAL
<p>asymmetrisch</p> <p>cd / 1000 lm</p>	2700 K	CRI 80	1-10 V, DALI, Push	A 3470 A 2780 XX	9016
		CRI 90	1-10 V, DALI, Push	A 3470 A 2790 XX	9016
	3000 K	CRI 80	1-10 V, DALI, Push	A 3470 A 3080 XX	9016
		CRI 90	1-10 V, DALI, Push	A 3470 A 3090 XX	9016
	4000 K	CRI 80	1-10 V, DALI, Push	A 3470 A 4080 XX	9016
		CRI 90	1-10 V, DALI, Push	A 3470 A 4090 XX	9016