



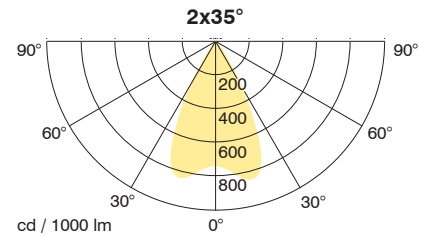
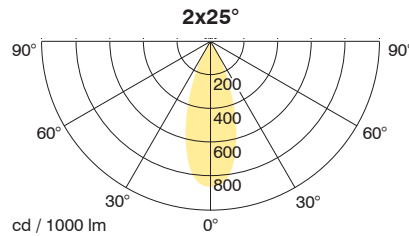
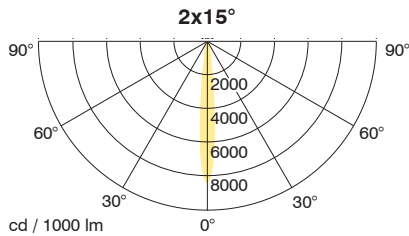
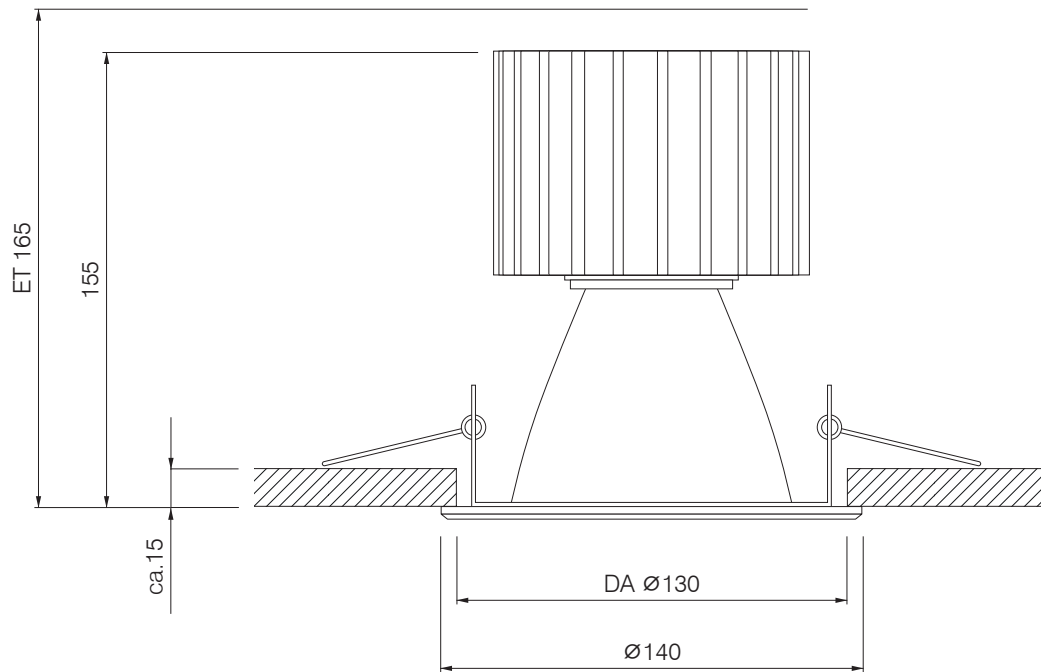
MULTI Downlight Dynamic

Recessed luminaire

Recessed downlight optimized for a smooth and glare-free illumination. Perfect as well as an energetic exchange of compact fluorescent downlights.

The dual-channel of the LED chips are able to adjust the color temperature from warm to cold white.

Lamp	Luxeon ZES
LED lumen output	ca. 100 lm/W
Reflector	aluminium coated polycarbonate
Control gear	LED driver external
Dimming (Options)	1–10 V, DALI, Push
Luminaire type, mounting	Ceiling built-in, tool-free with tension springs
Dimensions	D Ø140 mm, DA Ø130 mm, H 155 mm, ET 165 mm
Cast, heat sink	Aluminium powder coated, extruded aluminium profile anodized black
Colour / finish	Powder coated, RAL 9016 (other RAL colours optional)
Protection marking, compliance	IP20, CE
Specials	Customized versions, more light colours or colour renderings on request



Article number: _ _ _ _ _

Luminaire type	Identification	Reflector / Beam angle	Color temperature	CRI	Driver	RAL
A = Recessed	3384 = Luxeon ZES	G = 2x15°	90 = 2000 K - 3000 K	70	EV = On/Off	0000 = None
		K = 2x25°	95 = 2200 K - 4000 K	80	AV = 1-10V	1000 - 9018 = RAL
		P = 2x35°	96 = 2700 K - 5000 K	90	DA = Dali	
			97 = 2700 K - 4000 K		PH = Push	
			98 = 2200 K - 5000 K			
		99 = 2700 K - 5700 K				