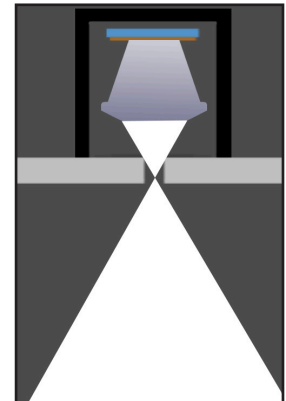




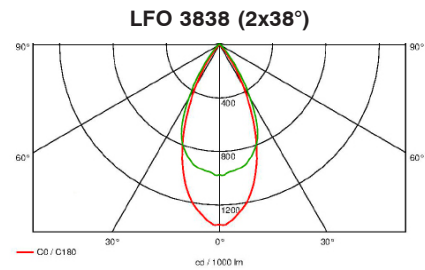
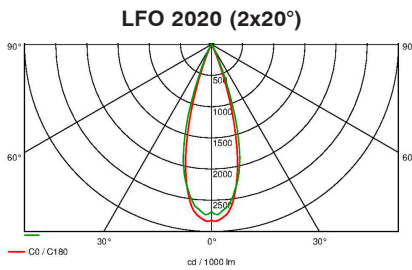
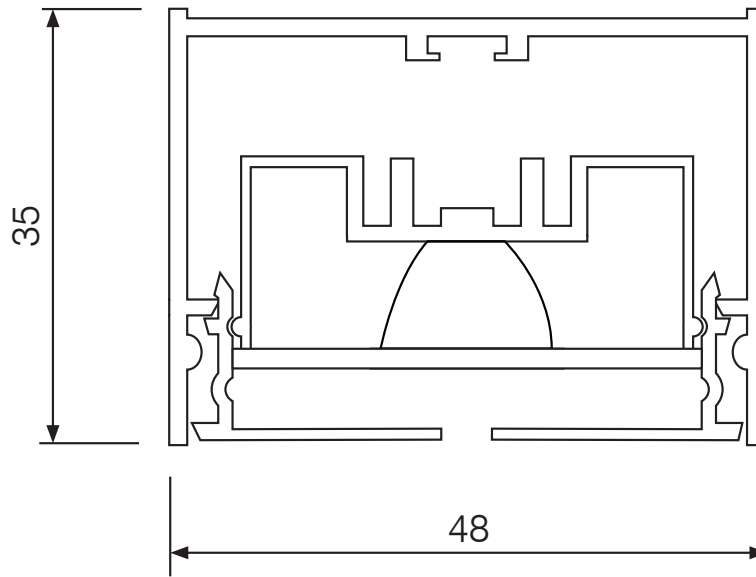
## LINE 35 LFO

mounted luminaire

Linear surface mounted luminaire with high-power LEDs optimized for a uniform and glare-free illumination. Perfect as an energy-saving replacement of conventional lighting systems.



Lamp	High-Power LED, light point spacing 50mm
Lumen output	approx. 100 lm/W
Lighting technology	Optik PMMA
Control gear	LED driver external
Dimming (options)	1–10 V, DALI, Push
Luminaire type, assembly	surface mounted
Dimensions	B 48 mm, H 35 mm, L=XX
Cast, heat sink	Extruded aluminum profile
Colour / finish	Powder coated, RAL 9016 (other RAL colors optional)
Protection marking, compliance	IP20, <b>CE</b>
Specials	Customized versions, more light colours or color renderings on request



Article number: - - - - -

Luminaire type	Identification	Reflector / Beam angle	Color temperature	CRI	Driver	RAL
<b>A = Mounted</b>	<b>3750</b>	<b>I = 2x20°</b>	<b>27 = 2700 K</b>	<b>70</b>	<b>EV = On/Off</b>	<b>0000 = None</b>
		<b>Q = 2x38°</b>	<b>30 = 3000 K</b>	<b>80</b>	<b>AV = 1-10V</b>	<b>1000 - 9018 = RAL</b>
			<b>40 = 4000 K</b>	<b>90</b>	<b>DA = Dali</b>	
			<b>57 = 5700 K</b>	<b>8H = HighFlux</b>	<b>PH = Push</b>	
			<b>98 = 2200 K - 5000 K</b>	<b>9H = HighFlux</b>		
		<b>99 = 2700 K - 5700 K</b>				