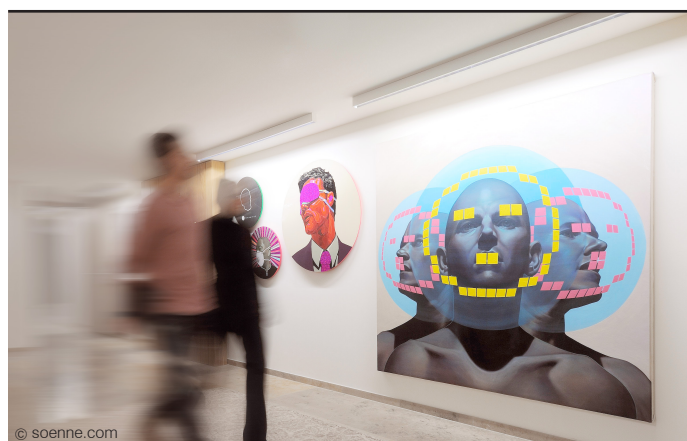


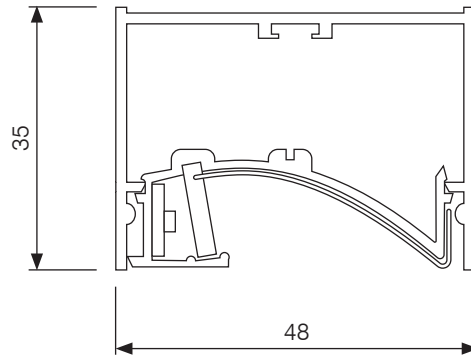
## LINE thirtyfive Wallwasher mono

Surface mounted luminaire



Surface mounted wallwasher with High-Power LEDs. The luminaire is optimized for a smooth and glare-free illumination of walls and vertical surfaces

Lamp	1,5 W per Power LED
Lumen output	approx. 100 lm/W
Reflector	aluminium reflector 2000GP Scattergloss, asymmetric
Electrical ballast	LED driver external, dimmable
Dimming (options)	1–10 V, DALI, Push
Luminaire type, assembly	Surface mounted
Dimensions, weight	B 48 mm, H 35 mm, L=XX
Cast, heat sink	extruded aluminium profile
Colour / finish	powder coated, RAL 9016 (other RAL colors optional)
Protection marking, compliance	IP20, <b>CE</b>
Specials	Customized versions, more light colours or color renderings on request.



EVG on/off = EV

1-10 V = AV

Dali = DA

Push = PH

Please replace the item number placeholder XX with the listed operating device options:

Light distribution	Light colour	Color rendering	Ballast	Order No.	+RAL-No.
	2700 K	CRI 80	1-10 V, DALI, Push	A 3500 I 2780 XX	9016
		CRI 90	1-10 V, DALI, Push	A 3500 I 2790 XX	9016
	3000 K	CRI 80	1-10 V, DALI, Push	A 3500 I 3080 XX	9016
		CRI 90	1-10 V, DALI, Push	A 3500 I 3090 XX	9016
	4000 K	CRI 80	1-10 V, DALI, Push	A 3500 I 4080 XX	9016
	5000 K	CRI 75	1-10 V, DALI, Push	A 3500 I 5075 XX	9016