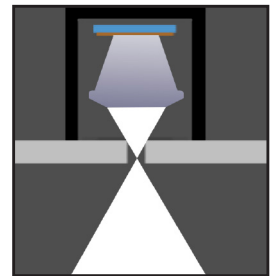


LFO SOLO

Module

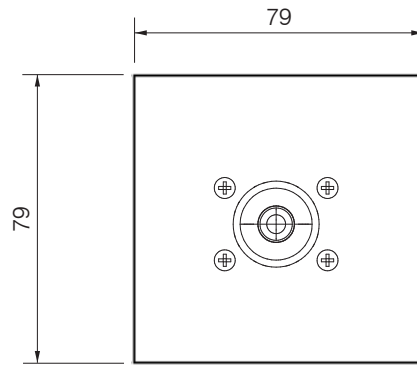
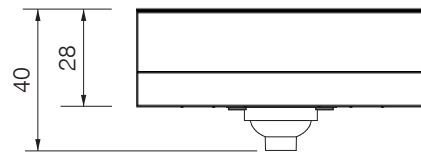
LFO modules are mounted or inserted in constructions like acoustic, wood or metal ceilings. There are two caps available for different ceiling materials. The light opening is 8mm in diameter.

The lens LFO is designed and calculated so that the light is focused and spreads glare-free down into the room, creating a natural light atmosphere.

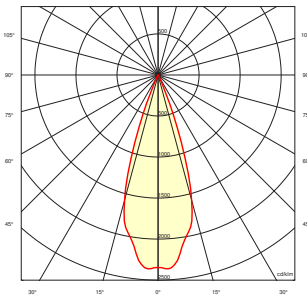


Lamp	CREE XHP35A Hi
Lumen output (LED)*	4W: 440lm bei 350mA 6W: 660lm bei 500mA 8W: 830lm bei 700mA
Reflector / Optics	Lens optics PMMA
Dimensions	79x79x40mm (L x W x H)
Control Gear, Dimming (option)	External LED driver <i>mandatory</i> , DALI (others on request)
Extras	EVG

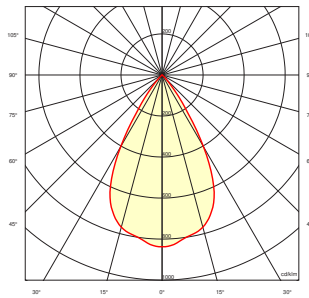
*: At 3000K CRI 80



LFO 2020 (2x20°)



LFO 3838 (2x38°)



Article number: _ _ _ _ _

Luminaire type	Identification	Reflector / Beam angle	Color temperature	CRI	Driver	RAL
A = Recessed	5651	I = 2x20°	27 = 2700 K	7H = 70	00 = None	0000 = None
			30 = 3000 K			
		40 = 4000 K	9H = 90			
		57 = 5700 K				

** : Further color temperatures possible