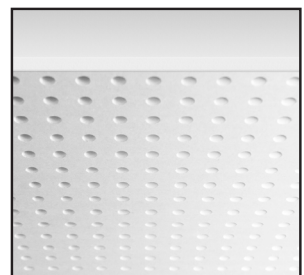
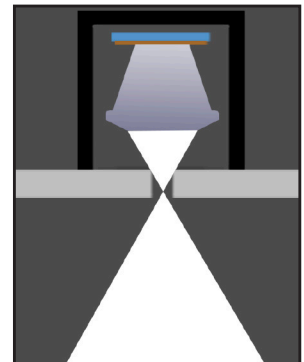


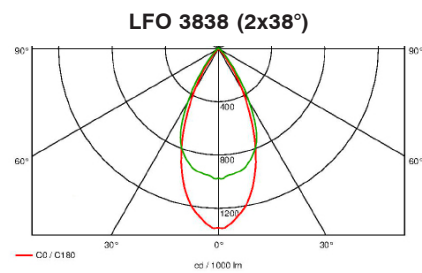
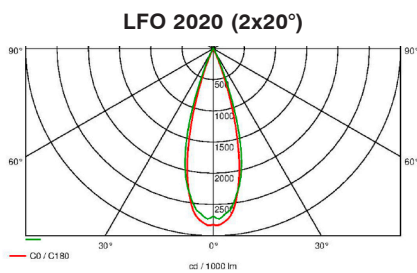
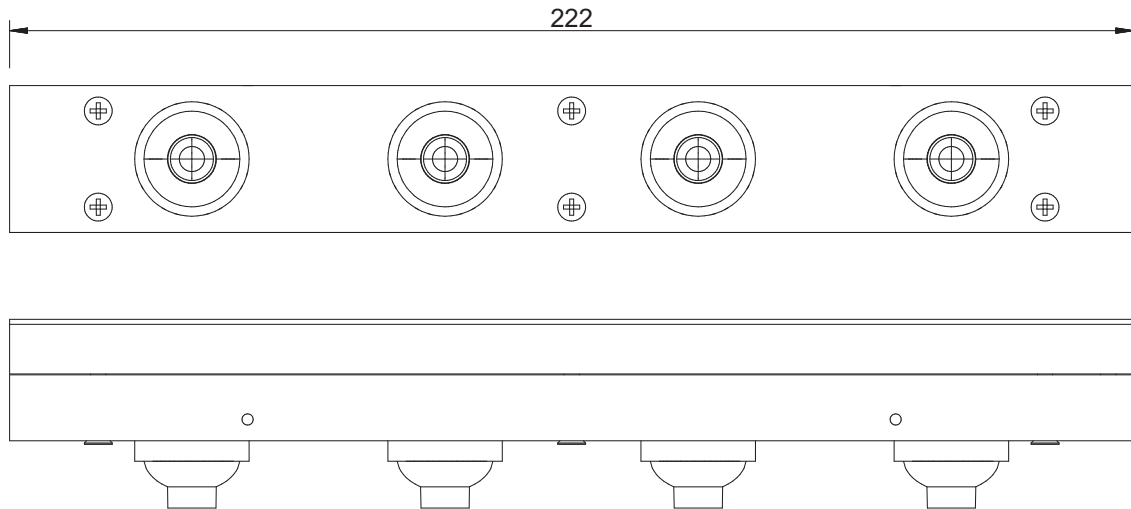
LFO 1x4 Module 1channel High Flux

module

The lens LFO is designed and calculated in a way that the light is focused in the aperture and distributes a glare-free and natural light atmosphere.



| | |
|--------------------|--------------------------------------------|
| Lamp | Cree XHP35A Hi, light-point-distance 50 mm |
| Lumen output (LED) | 4x4W: 1760lm at max. 350mA |
| Reflector/Optics | Optic PMMA |
| Control Gear | LED driver external |
| Dimming (options) | 1–10 V, DALI, Push |
| Dimensions | 222x30x40mm (L x B x H) |



Articlenumber: _ _ _ _ _

| Luminaire type | Identification | Reflector / Beam angle | Color temperature | CRI | Driver | RAL |
|---------------------|----------------|------------------------|--------------------|----------------|------------------|--------------------|
| A = Recessed | 5810 | I = 2x20° | 27 = 2700 K | 7H = 70 | 00 = None | 0000 = None |
| | | Q = 2x38° | 30 = 3000 K | 8H = 80 | | |
| | | | 40 = 4000 K | 9H = 90 | | |
| | | | 57 = 5700 K | | | |