

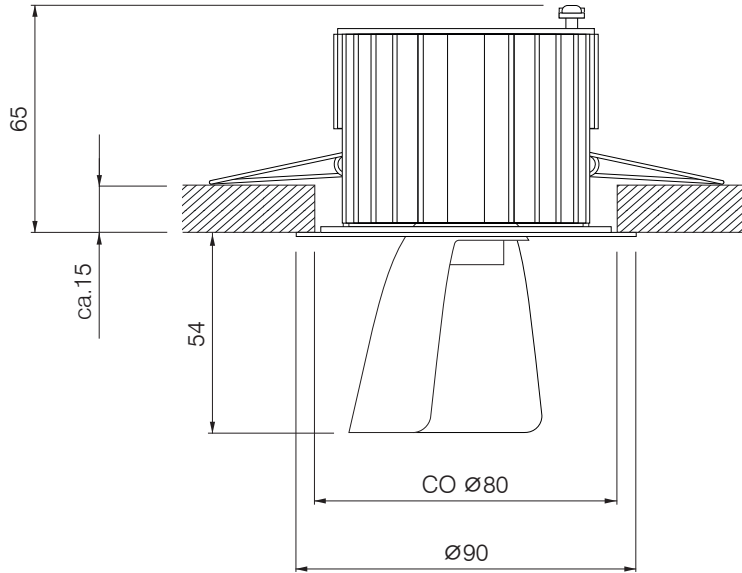


JUNIOR Wallwasher

Semi-recessed luminaire

Semi-recessed LED-Wallwasher, optimized for a smooth and glare-free illumination of walls and vertical surfaces. Perfect as well as an energy-saving exchange for low-voltage systems.

Lamp	Bridgelux Vero 13
LED lumen output	min. 909 lm @ 250 mA - 7,5 W
The reference values based on CRI80, 3000 K	max. 1697 lm @ 500 mA - 15 W
Reflector/Optics	J6 aluminium specular anodize, asymmetric, diffuser
Control gear	LED driver external
Dimming (options)	11–10 V, DALI, Push
Luminaire type, mounting	Semi-recessed, tool-free with tension springs
Dimensions	D Ø90 mm, CO Ø80 mm, H 119 mm, SR 54 mm, MD 70 mm
Cast, heat sink	sheet steel powder coated, extruded aluminium profile anodized black
Colour / finish	powder coated, RAL 9016 (other RAL colors optional)
Protection marking, compliance	IP20, CE
Specials	Customized versions, more light colours or color renderings on request



EVG on/off = EV

1-10 V = AV

Dali = DA

Push = PH

Please replace the item number placeholder XX with the listed operating device options:

Light distribution	Light colour	Color rendering	Control gear	Order No.	+RAL
	2700 K	CRI 80	1-10 V, DALI, Push	E 5000 A 2780 XX	9016
		CRI 90	1-10 V, DALI, Push	E 5000 A 2790 XX	9016
	3000 K	CRI 80	1-10 V, DALI, Push	E 5000 A 3080 XX	9016
		CRI 90	1-10 V, DALI, Push	E 5000 A 3090 XX	9016
	4000 K	CRI 80	1-10 V, DALI, Push	E 5000 A 4080 XX	9016
		CRI 70	1-10 V, DALI, Push	E 5000 A 4090 XX	9016