

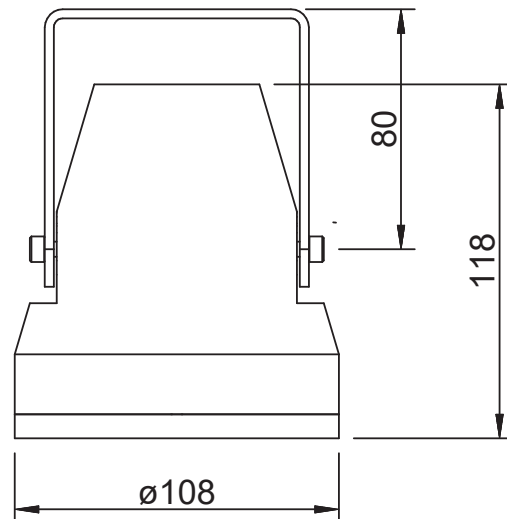


## JUNIOR Outdoor

## Outdoor luminaire

Outdoor luminaire available with different light characteristics. Suitable for general and accent lighting, as well as an energy-saving exchange for low-voltage spots.

Lamp	Bridgelux Vero 13 (2 x 30°, 2 x 40°)	Bridgelux Vero 18 (2 x 20°, 2 x 50°)
LED lumen output	1025 lm @ 250 mA - 7,4 W 1395 lm @ 350 mA - 10,6 W 1910 lm @ 500 mA - 15,6 W	980 lm @ 250 mA - 6,5 W 1350 lm @ 350 mA - 9,3 W 1890 lm @ 500 mA - 13,5 W
Reflector	<b>Reflector:</b> J6 aluminium specular anodize	
Control gear	LED driver external	
Dimming (options)	1–10 V	
Luminaire type, mounting	Ceiling-/wall built	
Dimensions	D Ø108 mm, H 118 mm	
Cast, heat sink	Sheet steel, extruded aluminium profile anodized	
Colour / finish	Powder coated, RAL 9016 (other RAL colours optional)	
Protection marking, compliance	IP54 <b>CE</b>	
Specials	Customized versions, more light colours or colour renderings on request	



EVG on/off = EV

1-10 V = AV

Please replace the item number placeholder XX with the listed operating device options:

Light distribution	Light colour	Color rendering	Control gear	Order No.	+RAL
	2700 K	CRI 80	on/off, 1-10 V	W 5054 I 2780 XX 9016	
		CRI 90	on/off, 1-10 V	W 5054 I 2790 XX 9016	
	3000 K	CRI 80	on/off, 1-10 V	W 5054 I 3080 XX 9016	
		CRI 90	on/off, 1-10 V	W 5054 I 3090 XX 9016	
	4000 K	CRI 80	on/off, 1-10 V	W 5054 I 4080 XX 9016	
		CRI 90	on/off, 1-10 V	W 5054 I 4090 XX 9016	
	2700 K	CRI 80	on/off, 1-10 V	W 5054 M 2780 XX 9016	
		CRI 90	on/off, 1-10 V	W 5054 M 2790 XX 9016	
	3000 K	CRI 80	on/off, 1-10 V	W 5054 M 3080 XX 9016	
		CRI 90	on/off, 1-10 V	W 5054 M 3090 XX 9016	
	4000 K	CRI 80	on/off, 1-10 V	W 5054 M 4080 XX 9016	
		CRI 90	on/off, 1-10 V	W 5054 M 4090 XX 9016	
	2700 K	CRI 80	on/off, 1-10 V	W 5054 R 2780 XX 9016	
		CRI 90	on/off, 1-10 V	W 5054 R 2790 XX 9016	
	3000 K	CRI 80	on/off, 1-10 V	W 5054 R 3080 XX 9016	
		CRI 90	on/off, 1-10 V	W 5054 R 3090 XX 9016	
	4000 K	CRI 80	on/off, 1-10 V	W 5054 R 4080 XX 9016	
		CRI 90	on/off, 1-10 V	W 5054 R 4090 XX 9016	
	2700 K	CRI 80	on/off, 1-10 V	W 5054 V 2780 XX 9016	
		CRI 90	on/off, 1-10 V	W 5054 V 2790 XX 9016	
	3000 K	CRI 80	on/off, 1-10 V	W 5054 V 3080 XX 9016	
		CRI 90	on/off, 1-10 V	W 5054 V 3090 XX 9016	
	4000 K	CRI 80	on/off, 1-10 V	W 5054 V 4080 XX 9016	
		CRI 90	on/off, 1-10 V	W 5054 V 4090 XX 9016	