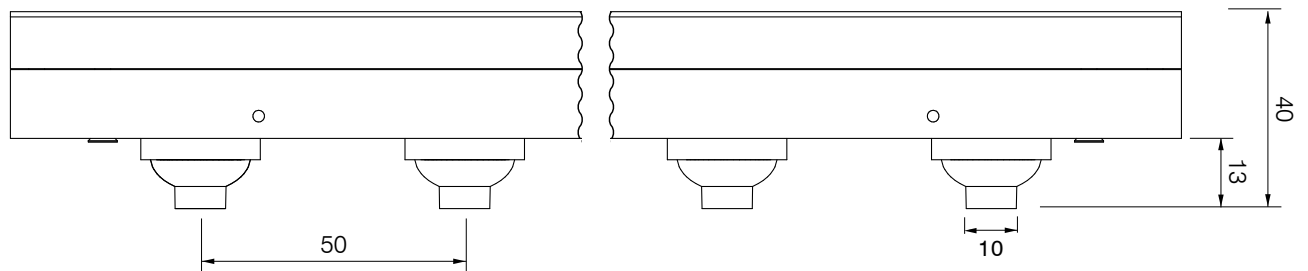
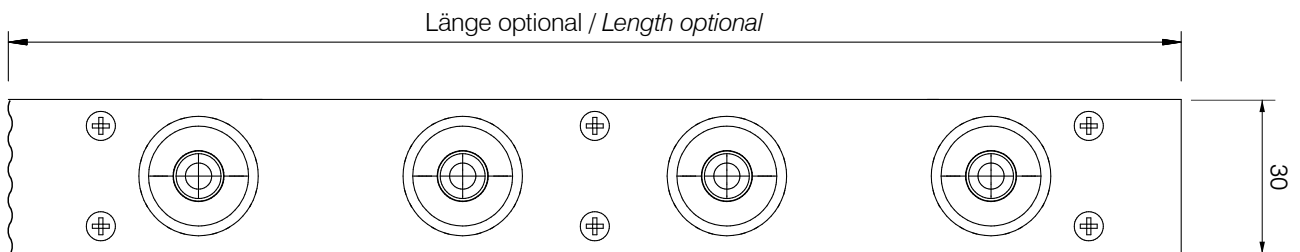
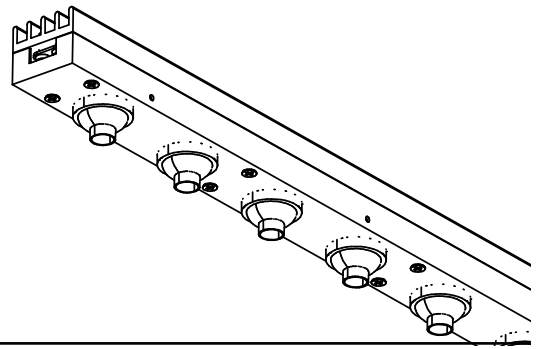


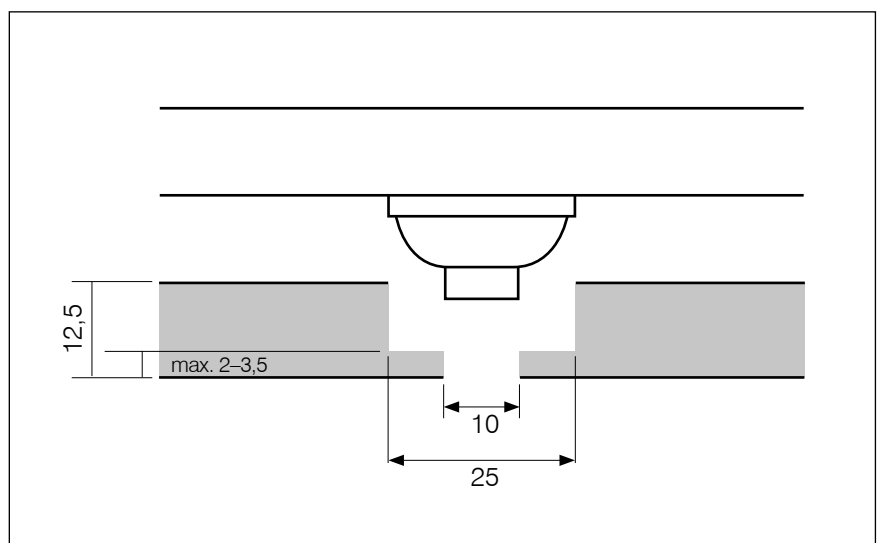
INSTALLATION MANUAL

LFO Module

FOR PLASTER CEILING



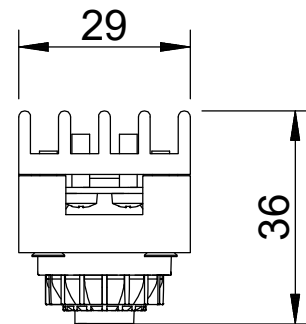
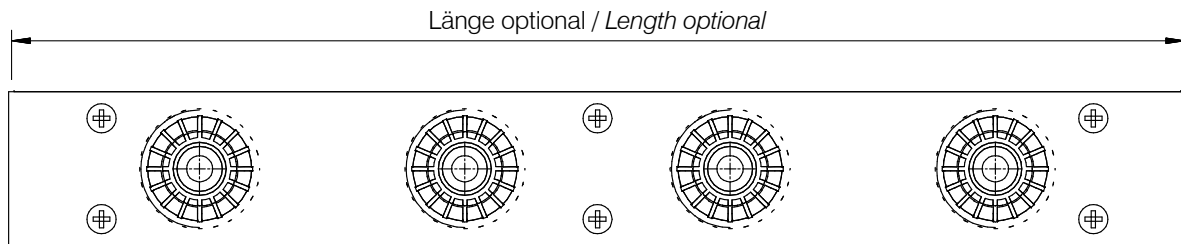
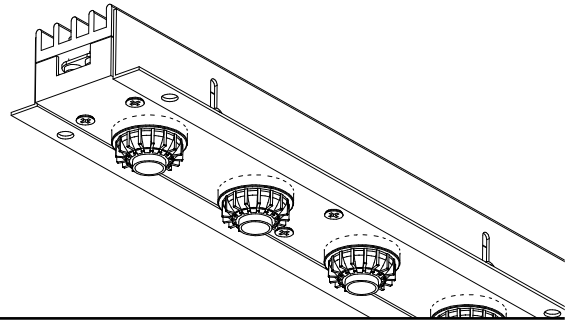
Make a custom-made ceiling cutout. Note the light point distance!



INSTALLATION MANUAL

LFO Module

FOR METAL CEILING



Make a custom-made ceiling cutout. Note the light point distance!

