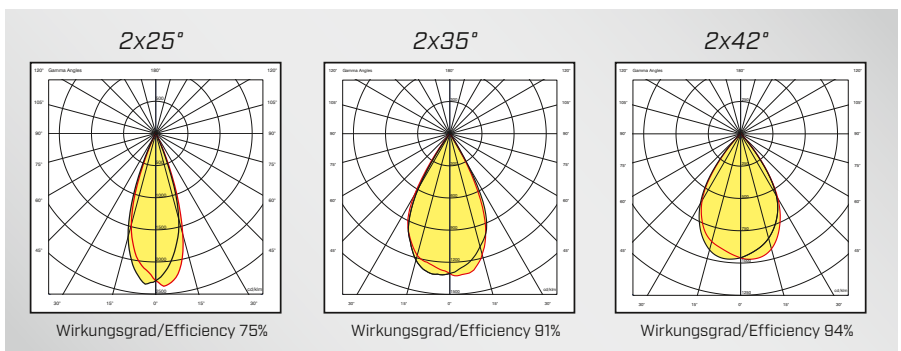
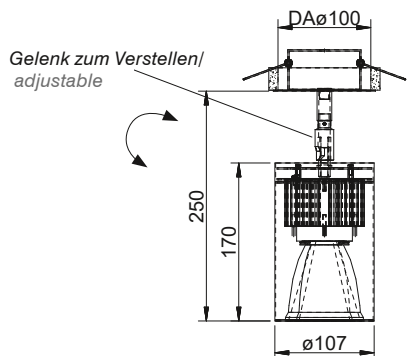
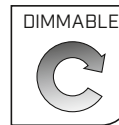


| | |
|---|---------------------------------|
| Lichtpunktabstand/Light point distance: | n/a |
| Treiber/Driver: | Extern/External |
| Leistung/Wattage: | 26W – 42W |
| Lichtstrom/Luminous Flux: | 2808 lm – 3931 lm |
| Lichtverteilung/Beam angle: | 2x25°, 2x35°, 2x42° |
| Max. Wirkungsgrad/Max. Efficiency: | 94% |
| Farbtemperatur/Color Temperature: | 2200K – 5700K |
| CRI: | >80, >90 |
| Schutzklasse/Protection Class: | III |
| Schutzart/IP-Protection: | IP20 |
| Oberfläche Gehäuse/Casing Finish: | Pulverbeschichtet/Powder Coated |
| Sonderausführung/Custom versions: | Auf Anfrage/On request |



MONO



Skizze für 2x25°. Die Höhe ist abhängig vom Reflektor!
 Sketch for 2x25°. The height depends on the reflector!

| Produkt ID | Verbrauch + Lichtstrom / Wattage + Luminous Flux | | |
|------------|--|---------------------|----------------------|
| | @700mA 026 = 26W | @900mA 035 = 35W | @1050mA 420 = 42W |
| 2605 | 2808 lm | 3454 lm | 3931 lm |

für/for 3000K, CRI80 und 2x42° Weitere Sonderausführungen auf Anfrage / Custom solutions on request



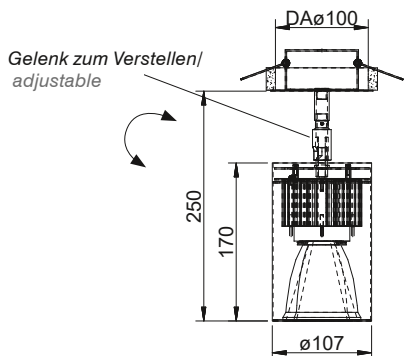
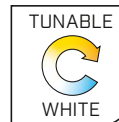
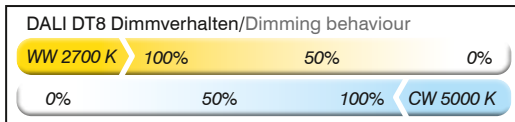
ARTIKELNUMMER / ARTICLE NUMBER:



| Produktkennung Product ID | Verbrauch Wattage | Treiber Driver | Abstrahlwinkel Beam Angle | Farbtemperatur Color Temperature | CRI CRI | Farbe Color Finish | Extras Accessories |
|------------------------------|----------------------|----------------------|------------------------------|-------------------------------------|---------------|------------------------|---|
| 2605 | 026 = 26W | X = Ohne/None | A = Asymmetric | 27 = 2700K | 8 = 80 | 01 = RAL 9016 ○ | X = Ohne/None |
| | 035 = 35W | Y = DALI | Q = 2x25° | 30 = 3000K | 9 = 90 | 02 = RAL 9006 ● | A = Schutzscheibe/ Cover Glass |
| | 420 = 42W | Z = On/Off | G = 2x35° | 35 = 3500K | | 03 = RAL 9005 ● | |
| | 050 = 50W | | H = 2x42° | 40 = 4000K | | 04 = RAL 7016 ● | |
| | | | | 50 = 5000K | | 05 = DB703 ● | |
| | | | | 57 = 5700K | | | |

Andere Farbkombinationen oder Temperaturen möglich/Other color combinations or temperatures possible

TUNABLE WHITE



Skizze für 2x25°. Die Höhe ist abhängig vom Reflektor!
 Sketch for 2x25°. The height depends on the reflector!

| Produkt ID | Verbrauch + Lichtstrom/Wattage + Luminous Flux |
|------------|--|
| 2606 | 024 = 24W @700mA 3046 lm / 3497 lm |

für/for 2700-5000K, CRI80 und 2x42° Weitere Sonderausführungen auf Anfrage / Custom solutions on request



ARTIKELNUMMER / ARTICLE NUMBER:



| Produktkennung Product ID | Verbrauch Wattage | Treiber Driver | Abstrahlwinkel Beam Angle | Farbtemperatur Color Temperature | CRI CRI | Farbe Color Finish | Extras Accessories |
|------------------------------|----------------------|-------------------|------------------------------|-------------------------------------|------------|-----------------------|-----------------------------------|
| 2606 | 024 = 24W | X = Ohne/None | A = Asymmetric | T1 = 2200K - 4000K | 8 = 80 | 01 = RAL 9016 ○ | X = Ohne/None |
| | | W = DALI DT8 | Q = 2x25° | T2 = 2200K - 4500K | 9 = 90 | 02 = RAL 9006 ● | A = Schutzscheibe/ Cover Glass |
| | | | G = 2x35° | T3 = 2200K - 5000K | | 03 = RAL 9005 ● | |
| | | | H = 2x42° | T4 = 2200K - 5700K* | | 04 = RAL 7016 ● | |
| | | | | T5 = 2700K - 4000K | | 05 = DB703 ● | |
| | | | | T6 = 2700K - 4500K | | | |
| | | | | T7 = 2700K - 5000K | | | |
| | | | | T8 = 2700K - 5700K* | | | |

Andere Farbkombinationen oder Temperaturen möglich/Other color combinations or temperatures possible

*5700K nur CRI 80/ 5700K only CRI 80