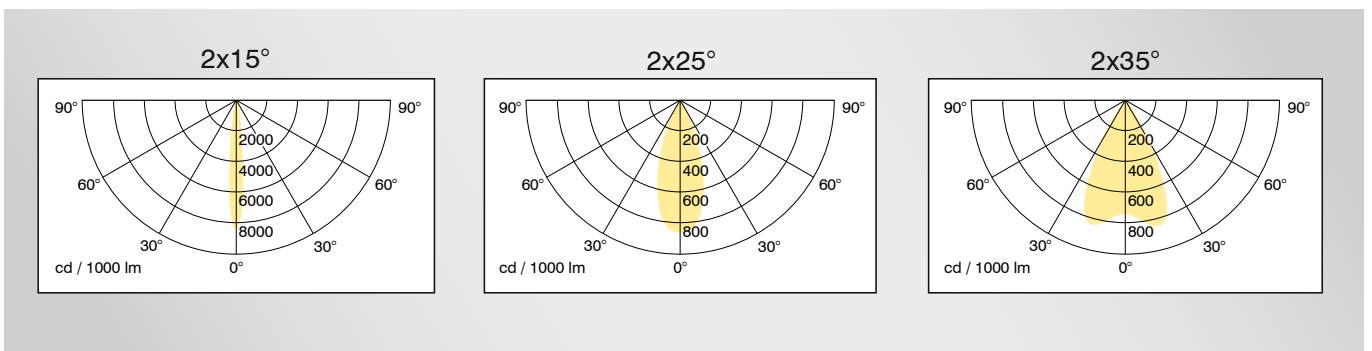
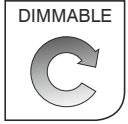
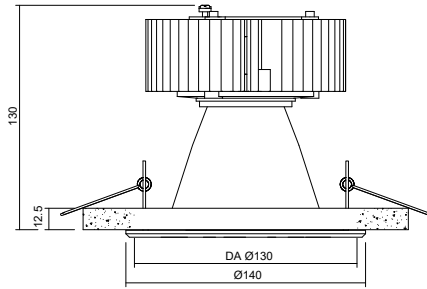


| | |
|---|---------------------------------|
| Lichtpunktabstand/Light point distance: | n/a |
| Treiber/Driver: | Extern/External |
| Leistung/Wattage: | 16W – 51W |
| Lichtstrom/Luminous Flux: | 2471 lm – 6955 lm |
| Lichtverteilung/Beam angle: | 2x15°, 2x25°, 2x35° |
| Wirkungsgrad/Efficiency: | >85% |
| Farbtemperatur/Color Temperature: | 2200K – 5700K |
| CRI: | >80, >90 |
| Schutzklasse/Protection Class: | 3 |
| IP-Schutz/IP-Protection: | IP20, IP54 (optional) |
| Oberfläche Gehäuse/Casing Finish: | Pulverbeschichtet/Powder Coated |
| Sonderausführung/Custom versions: | Auf Anfrage/On request |





MONO



| Produkt ID | Verbrauch + Lichtstrom / Wattage + Luminous Flux | | | | |
|-------------|--|-----------|-----------|-----------|-----------|
| | 016 = 16W | 024 = 24W | 034 = 34W | 440 = 44W | 510 = 51W |
| 2024 | 2471 lm | 3511 lm | 4882 lm | 6232 lm | 6955 lm |

Weitere Sonderausführungen auf Anfrage / Custom solutions on request

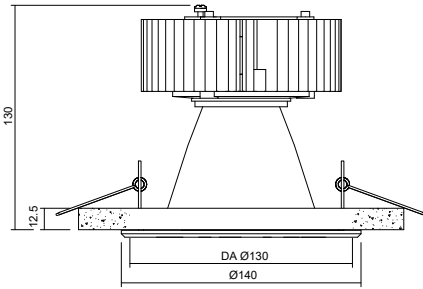
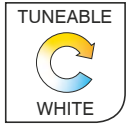


ARTIKELNUMMER / ARTICLE NUMBER:

| Produktkennung Product ID | Verbrauch Wattage | Treiber Driver | Abstrahlwinkel Beam Angle | Farbtemperatur Color Temperature | CRI CRI | Farbe Color Finish | Extras Accessories |
|------------------------------|----------------------|----------------------|------------------------------|-------------------------------------|---------------|------------------------|---|
| 2024 | 016 = 16W | X = Ohne/None | P = 2x15° | 27 = 2700K | 8 = 80 | 01 = RAL 9016 ○ | X = Ohne/None |
| | 024 = 24W | Y = DALI | Q = 2x25° | 30 = 3000K | 9 = 90 | 02 = RAL 9006 ● | A = Schutzscheibe/ Cover Glass |
| | 034 = 34W | Z = On/Off | G = 2x35° | 35 = 3500K | | 03 = RAL 9005 ● | |
| | 440 = 44W | | | 40 = 4000K | | 04 = RAL 7016 ● | |
| | 510 = 51W | | | 50 = 5000K | | 05 = DB703 ● | |
| | | | | 57 = 5700K | | | |

Andere Farbkombinationen oder Temperaturen möglich/Other color combinations or temperatures possible

TUNEABLE WHITE



| Produkt ID | Verbrauch + Lichtstrom / Wattung + Luminous Flux |
|------------|--|
| 480 | = 48W |
| 2028 | 2424 lm + 2784 lm |

Weitere Sonderausführungen auf Anfrage / Custom solutions on request



ARTIKELNUMMER / ARTICLE NUMBER:



| Produktkennung Product ID | Verbrauch Wattage | Treiber Driver | Abstrahlwinkel Beam Angle | Farbtemperatur Color Temperature | CRI CRI | Farbe Color Finish | Extras Accessories |
|------------------------------|----------------------|-------------------|------------------------------|-------------------------------------|------------|-----------------------|-----------------------------------|
| 2028 | 480 = 48W | X = Ohne/None | P = 2x15° | T1 = 2200K - 4000K | 8 = 80 | 01 = RAL 9016 ○ | X = Ohne/None |
| | | W = DALI DT8 | Q = 2x25° | T2 = 2200K - 4500K | 9 = 90 | 02 = RAL 9006 ● | A = Schutzscheibe/ Cover Glass |
| | | | G = 2x35° | T3 = 2200K - 5000K | | 03 = RAL 9005 ● | |
| | | | | T4 = 2200K - 5700K* | | 04 = RAL 7016 ● | |
| | | | | T5 = 2700K - 4000K | | 05 = DB703 ● | |
| | | | | T6 = 2700K - 4500K | | | |
| | | | | T7 = 2700K - 5000K | | | |
| | | | | T8 = 2700K - 5700K* | | | |

Andere Farbkombinationen oder Temperaturen möglich/Other color combinations or temperatures possible

*5700K nur CRI 80/ 5700K only CRI 80